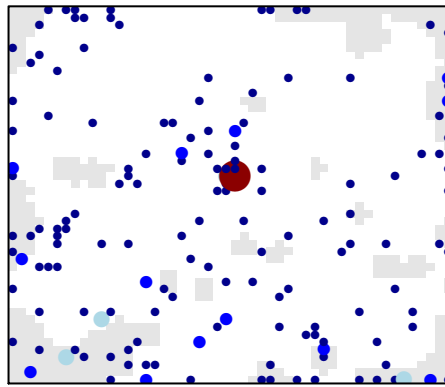


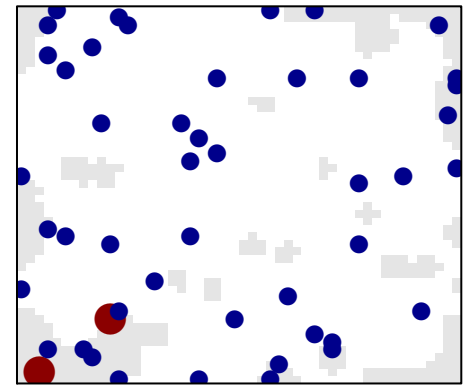
Axon guidance

all genes

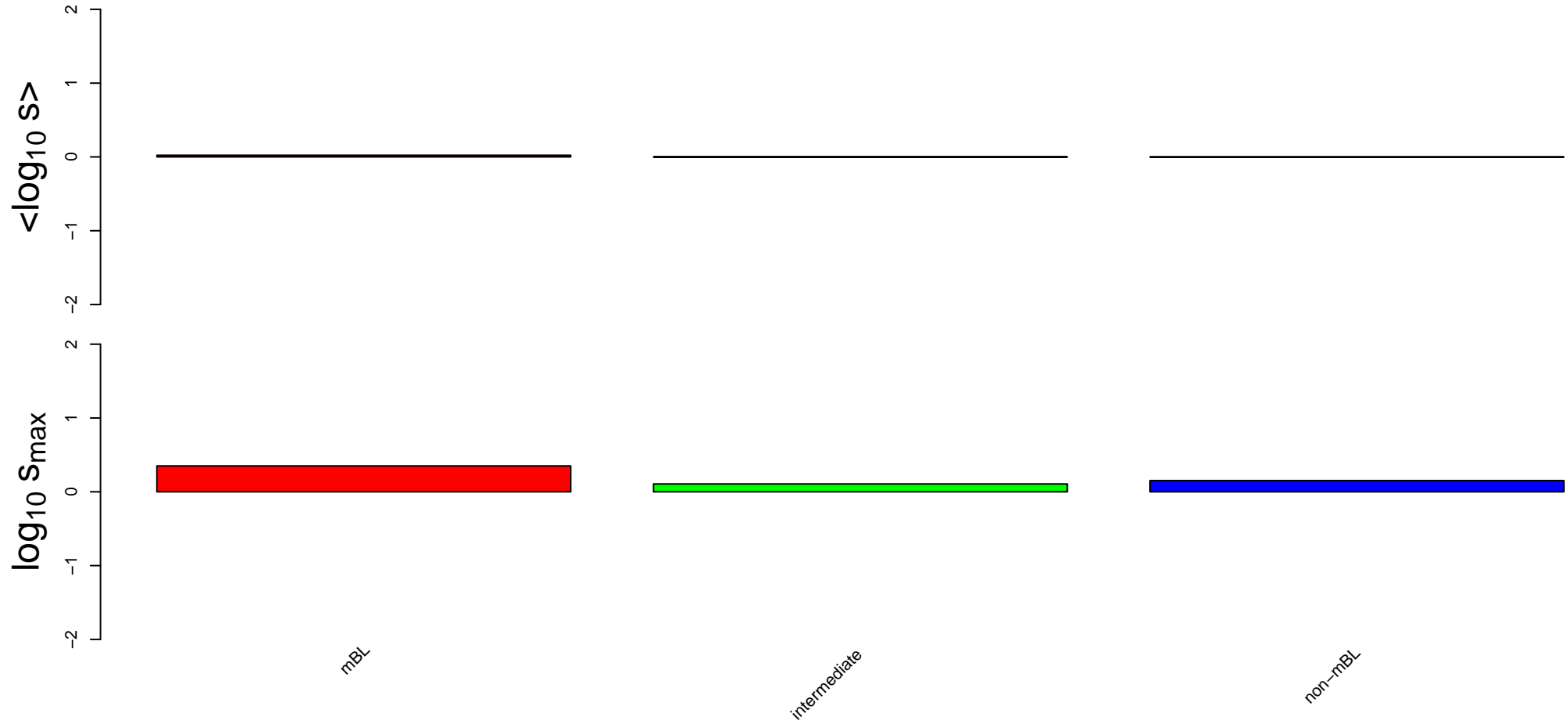


maximum = 7

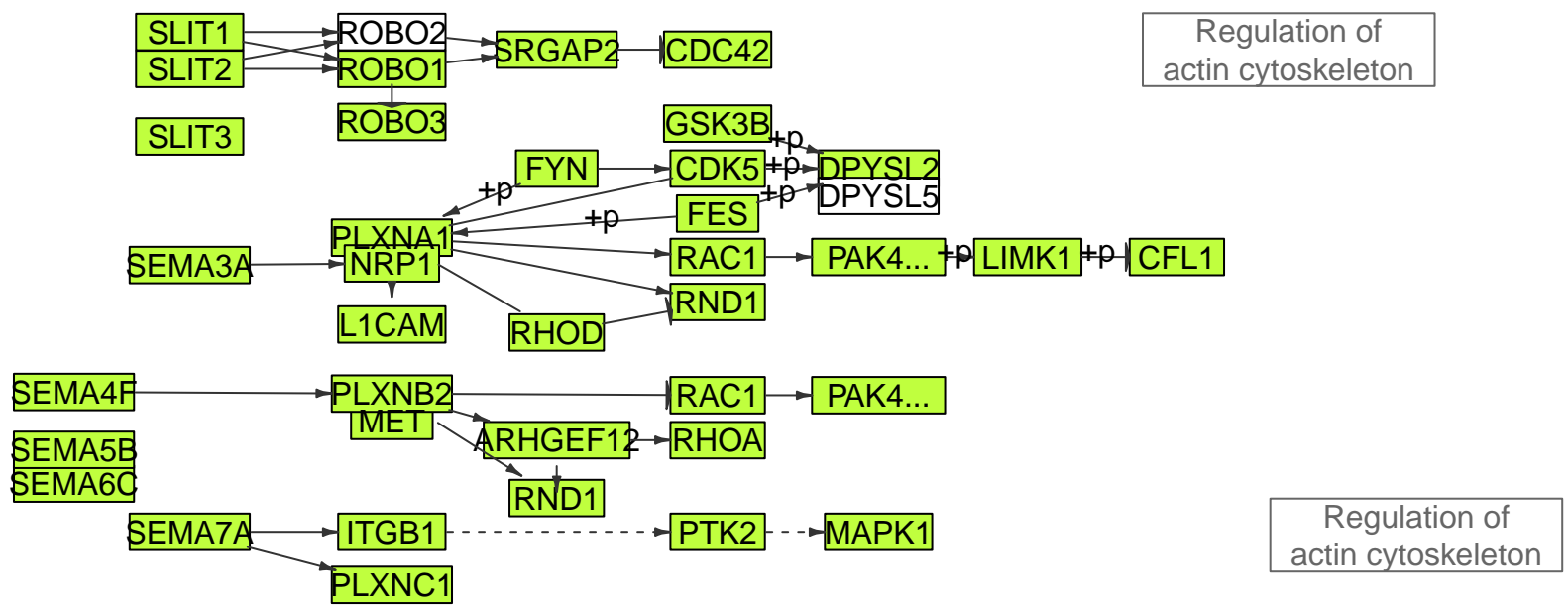
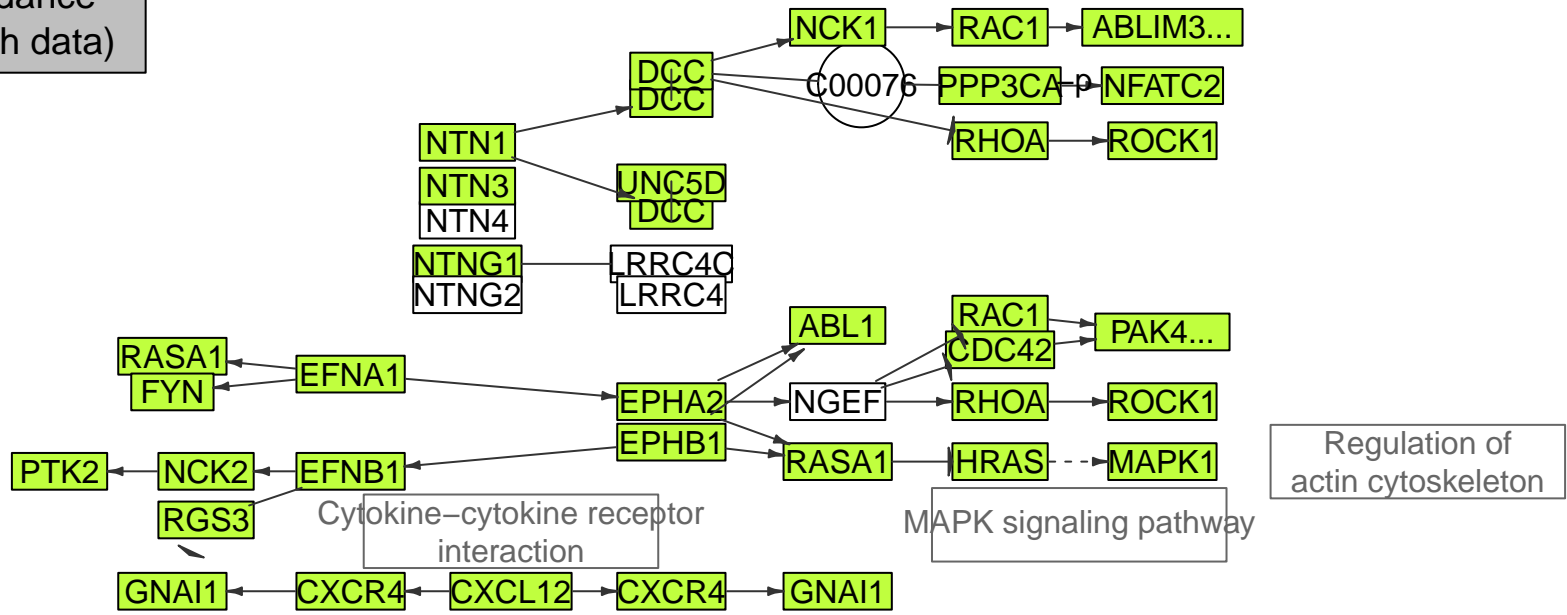
sink node genes



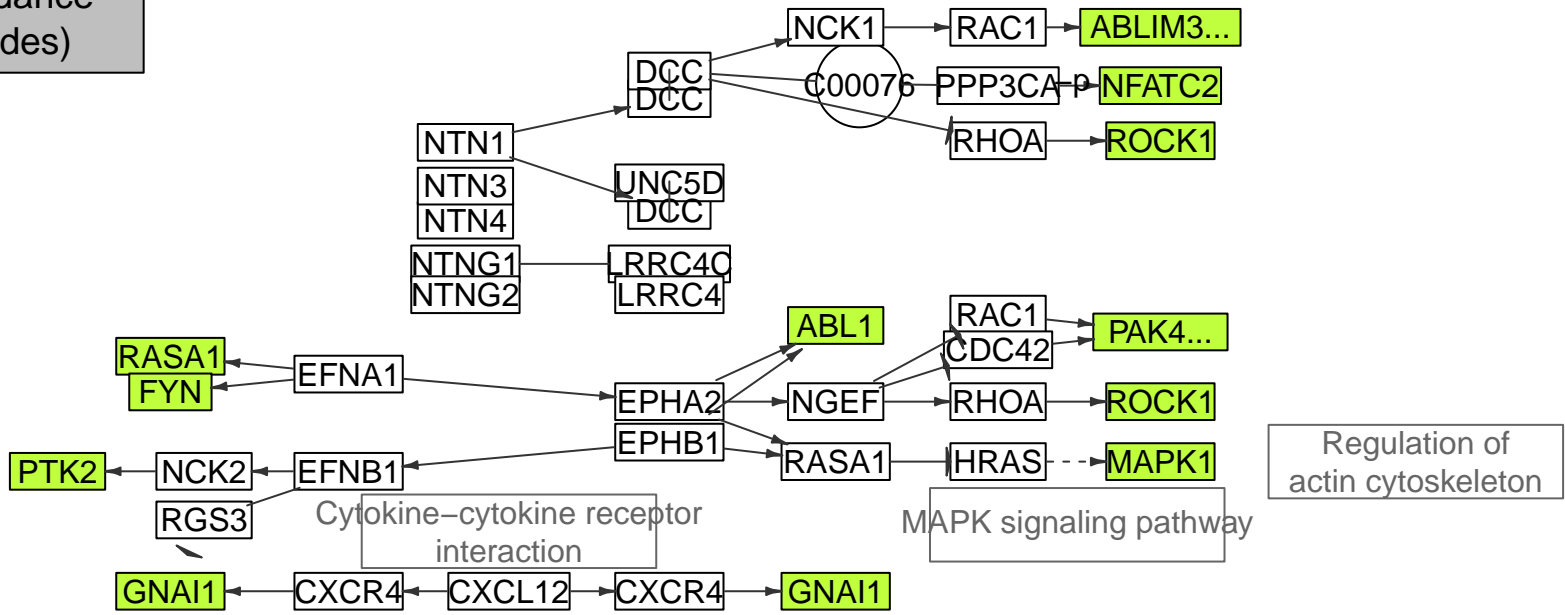
maximum = 2



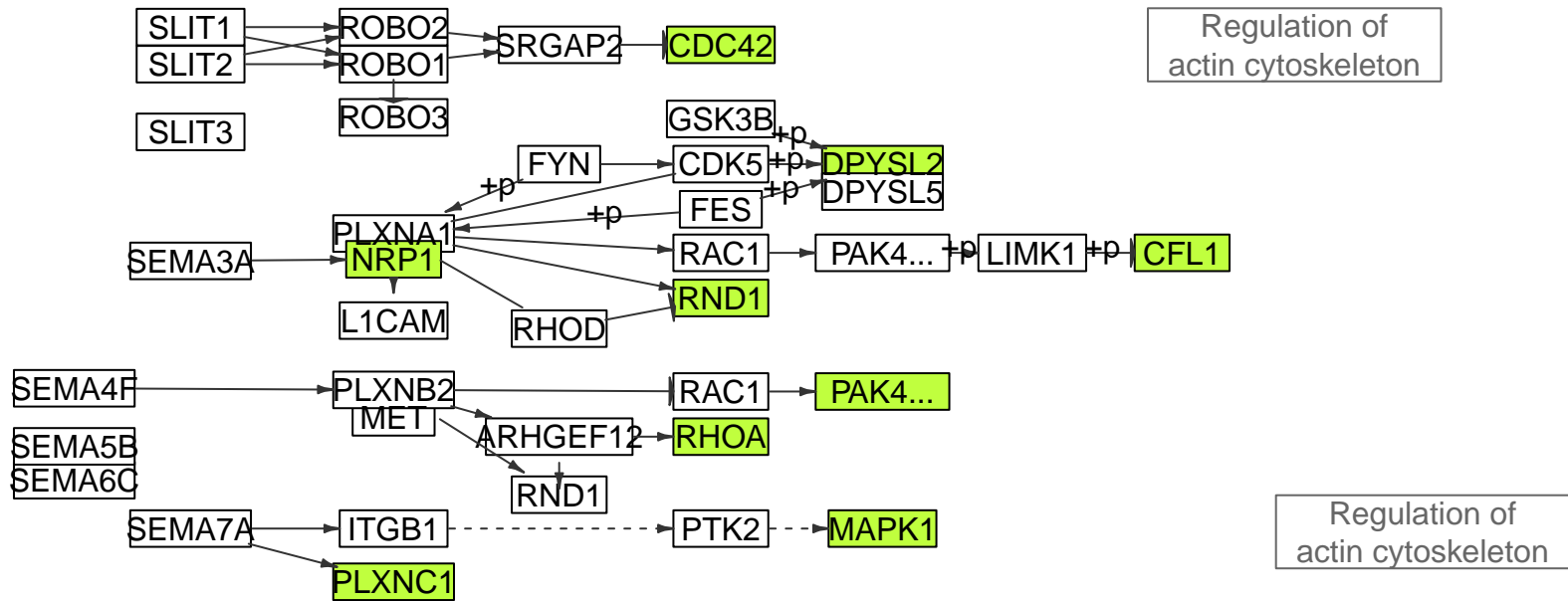
Axon guidance
(genes with data)



Axon guidance (sink nodes)



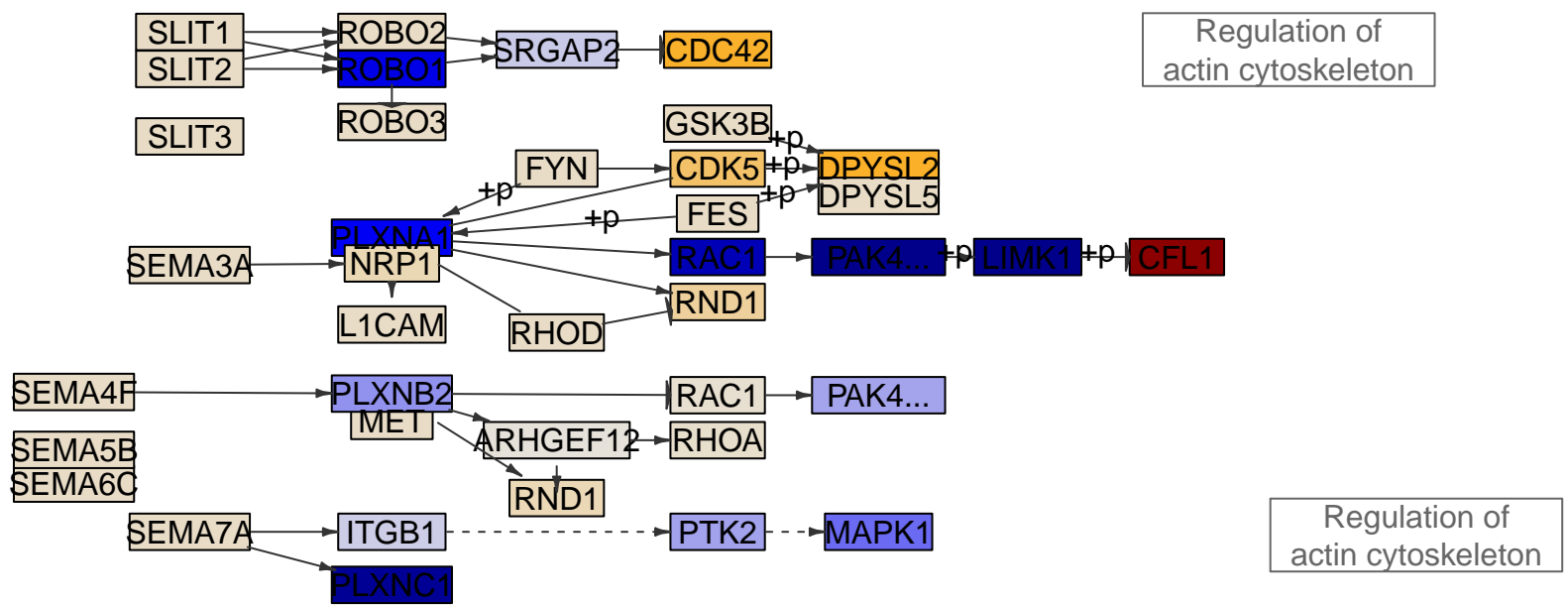
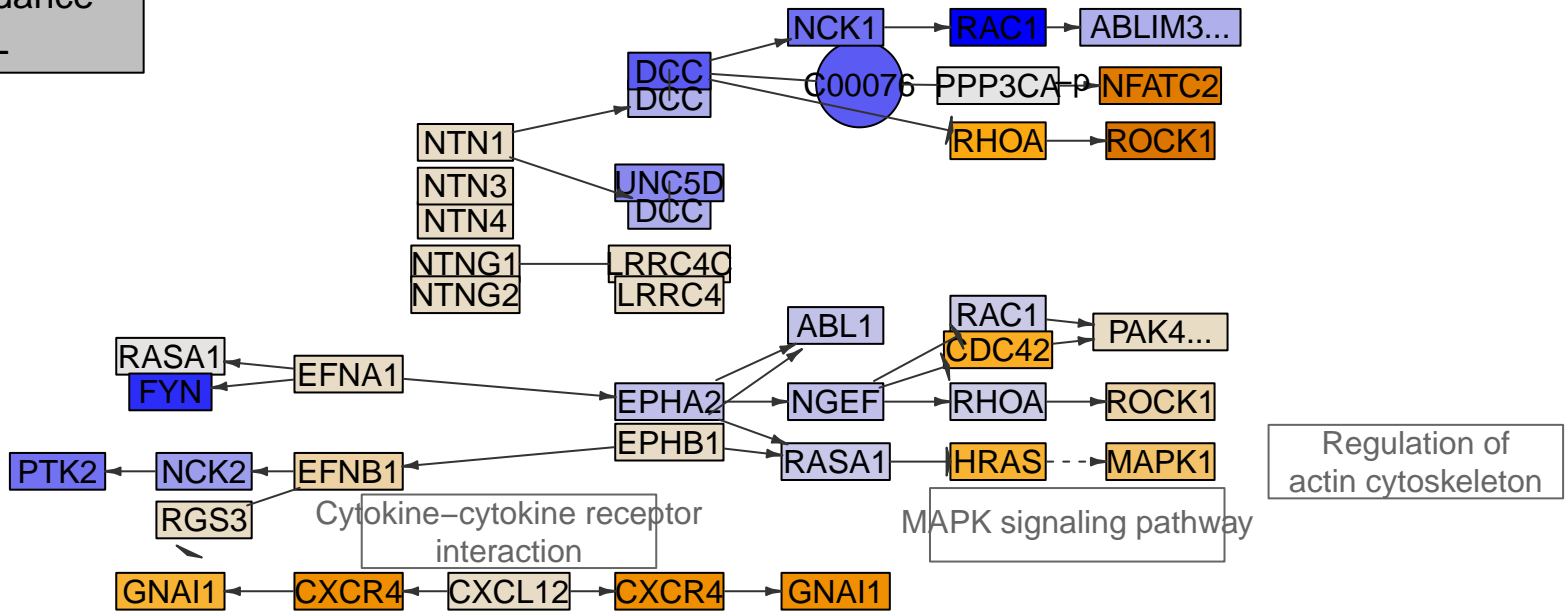
Regulation of actin cytoskeleton



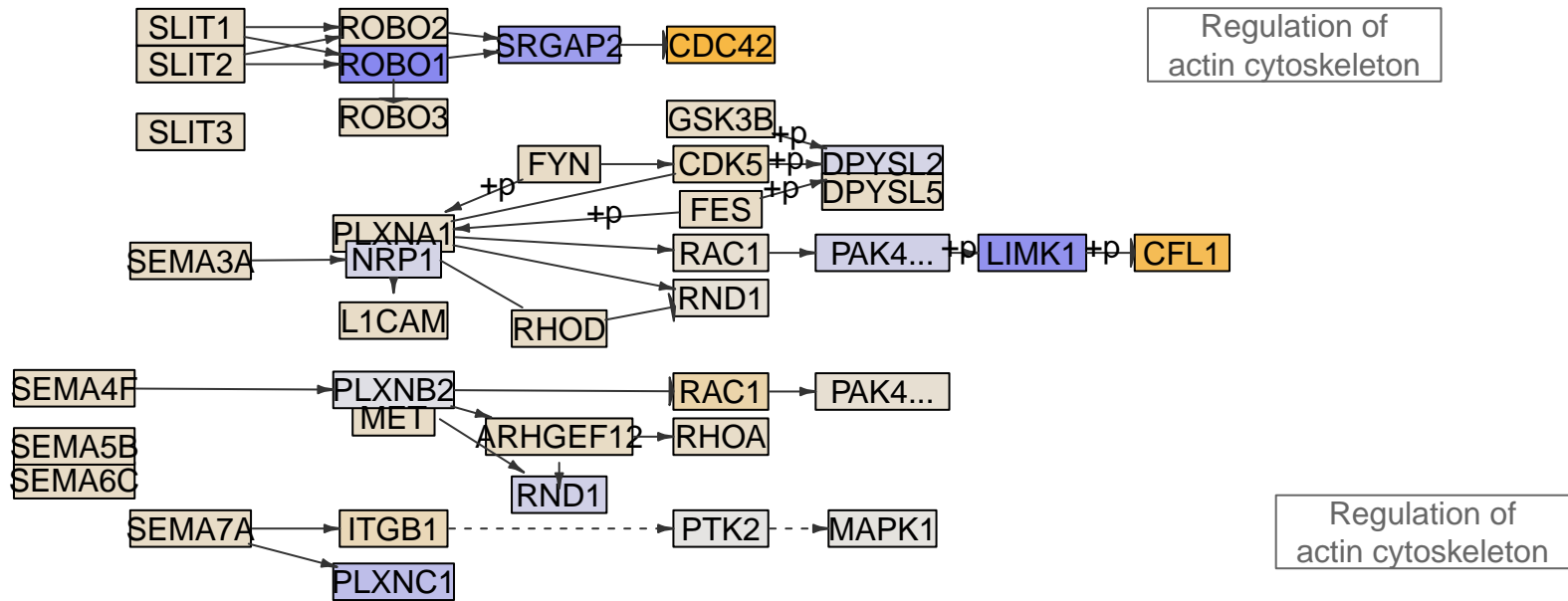
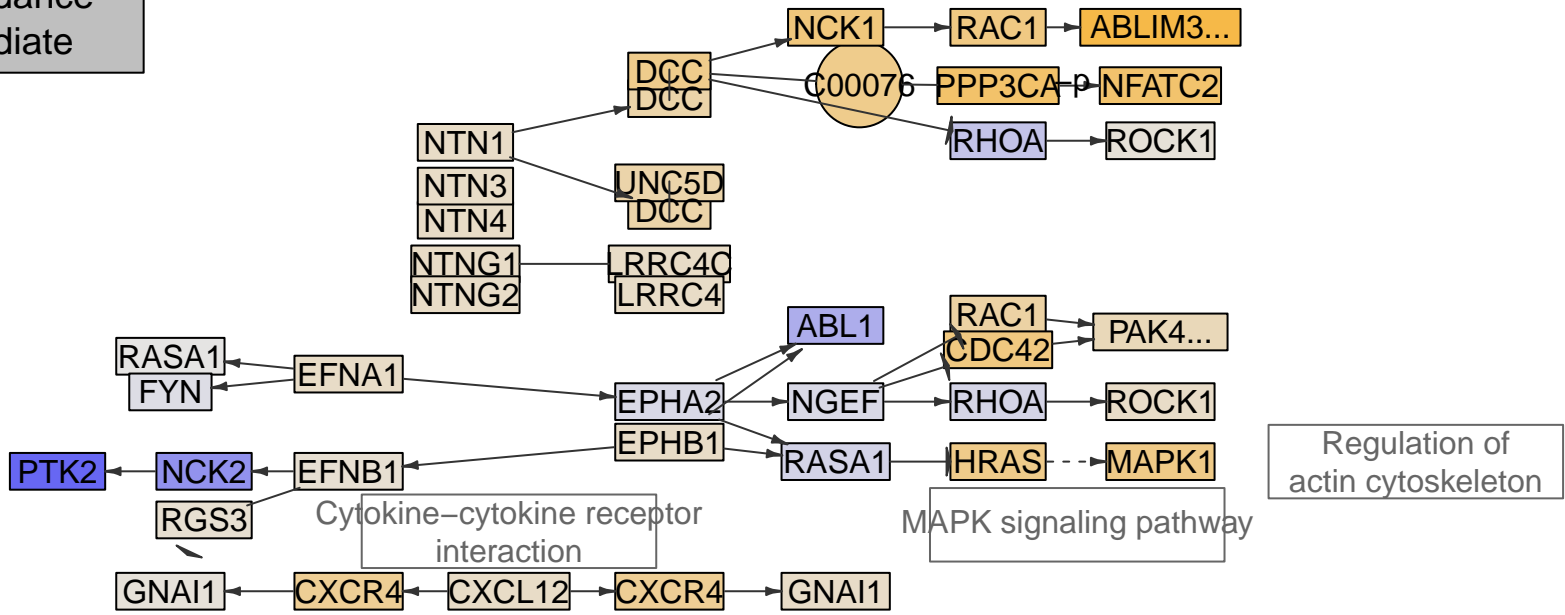
Regulation of actin cytoskeleton

Regulation of actin cytoskeleton

Axon guidance
mBL



Axon guidance intermediate



Axon guidance non-mBL

